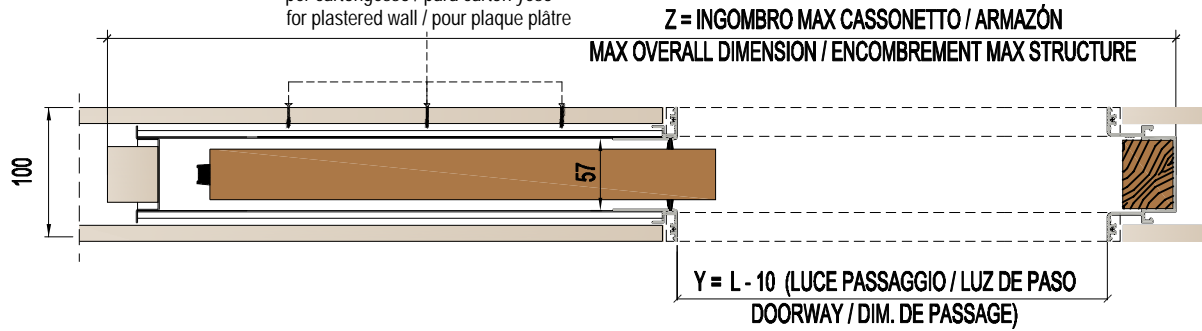


PANNELLO PORTA / PANEL PUERTA
DOOR PANEL / PANNEAU PORTE

viti / tornillos / screws / vis L max = 19 mm
per cartongesso / para cartón yeso
for plastered wall / pour plaque plâtre



*Misure approssimative / Las Medidas son aproximativas.
Measures are approximatives / Les Mesures sont indicatives.

Dimensioni / Medidas / Sized / Mesures (L x H mm)	Ingombro max / Engombro max Max overall / Encombremant (Z)	Altezza / Altura max / Max height / Hauteur max (HT)	Y= (L - 10)	Struttura da / Estrutura de Structure / Structure (mm)	Parete finita / Pared acabada Finished wall / Cloison finie (mm)	Pannello porta / Hoja de la puerta / Doors panels / Panneaux portes (LP x HP mm)
600 x 2000/2030/2100	1350	2105/2125/2205	590	57	100	615 x 2010/2030/2110
700 x 2000/2030/2100	1550	2105/2125/2205	690	57	100	715 x 2010/2030/2110
800 x 2000/2030/2100	1750	2105/2125/2205	790	57	100	815 x 2010/2030/2110
900 x 2000/2030/2100	1950	2105/2125/2205	890	57	100	915 x 2010/2030/2110
1000 x 2000/2030/2100	2150	2105/2125/2205	990	57	100	1015 x 2010/2030/2110
1100 x 2000/2030/2100	2300	2105/2125/2205	1090	57	100	1115 x 2010/2030/2110
1200 x 2000/2030/2100	2550	2105/2125/2205	1190	57	100	1215 x 2010/2030/2110